

# Classroom Country Kitchen

## Stove / Sink

### CPL-85

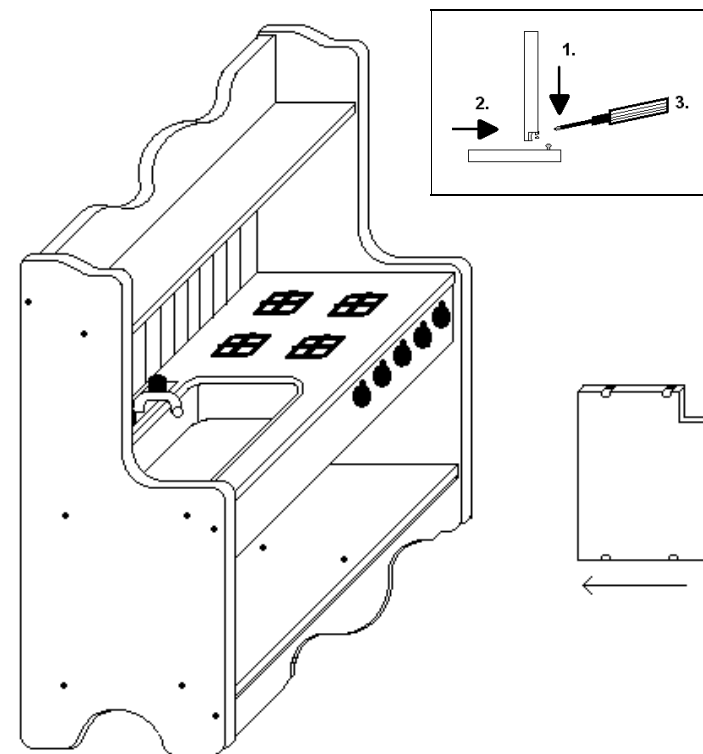
#### Contents

2 Side Panels Left and Right  
Stove Top with Sink Cutout  
Bottom Shelf  
Center Divider  
Left Door  
Right Door with Window Kit  
Upper Shelf  
Front Panel  
Scalloped Top  
Scalloped Bottom  
¼" Upper Back Panel  
¼" Lower Back Panel

Connecting Screw



Cam Bolt



Locate and identify each part. Assembly of this unit is not difficult but you should carefully follow the instructions. There are several sub-assemblies that should be put together first.

- The clear plastic window should be secured to the right door panel with the screws provided using a Phillips Head screwdriver.
- The metal plate and door handles also need to be attached to the right and left doors with the screws provided. Please note: The screw for the metal plate is very small and you will need a #1 Phillips Head Screwdriver for this screw.
- The hinges also should be attached to the doors using the provided screws.

Lean the Divider over at an angle toward the Side Panel and fit under the front panel. Line up with the cam bolts that protrude from the bottom of the top panel and the top of the bottom panel and tighten the cam fittings by turning about ½ turn clockwise.